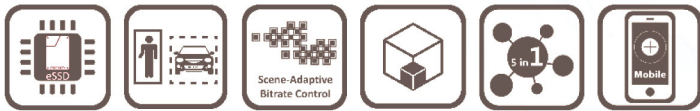


# TURBO HD eSSD DVR

e-XS08-TURBO

## Key Feature

- Powered by eSSD technology
- Low power consumption
- Scene-adaptive bitrate control video compression
- Deep learning based human and vehicle targets classification of
- Motion Detection 2.0
- HDTVI/AHD/CVI/CVBS/IP video inputs
- Up to 1080p Lite@30 fps encoding capability



## Built-In SSD

- Minimalist eSSD design brings low power consumption
- Integrated storage design provides the plug-and-play device use.

## Easy Installation.

- Mini size design saves installation space
- Anti-vibration design and light weight satisfy more installation conditions

## Compression and Recording.

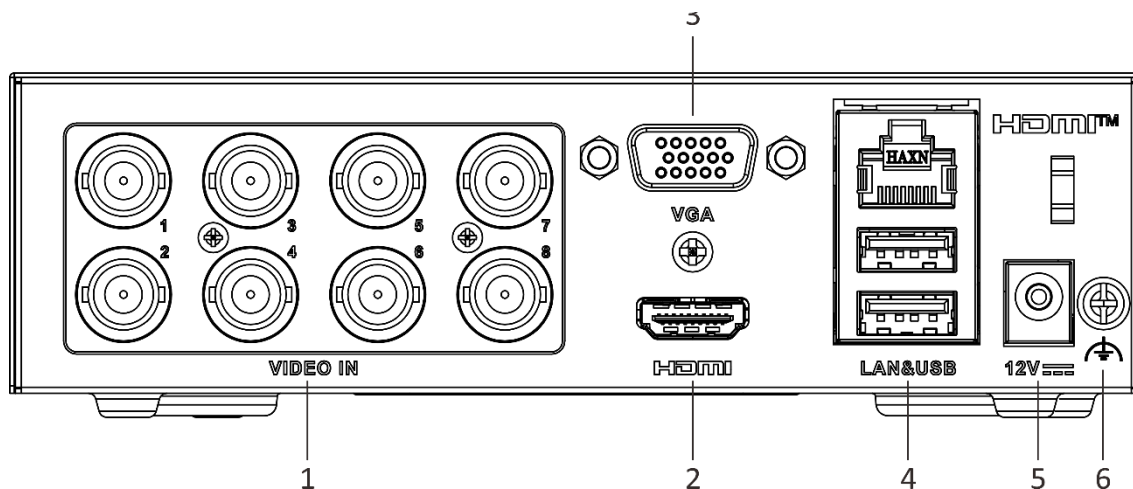
- Scene-adaptive bitrate control technology would precisely allocate videos in eSSD according to the actual scene
- Full channel recording at up to 2 MP Lite resolution

## Smart Function.

- Deep learning-based motion detection 2.0
- Smart search for efficient playback

Motion Detection 2.0	
Human/Vehicle Analysis	<p>Deep learning-based motion detection 2.0 is enabled by default for all analog channels, it can classify human and vehicle, and extremely reduce false alarms caused by objects like leaves and lights;</p> <p>Quick search by object or event type is supported;</p>
Recording	
Video Compression	H.265 Pro/H.265
Encoding Resolution	1080p Lite/720p/WD1/4CIF/CIF
Frame Rate	<p>Main stream: 1080p Lite/720p/WD1/4CIF/CIF@25 fps (P)/30 fps (N)</p> <p>Note: 1080p Lite/720p is 15 fps by default</p> <p>Sub-stream: 4CIF@ 15fps; CIF/QVGA@25 fps (P)/30 fps (N)</p>
Video Bitrate	According to the actual scene, scene-adaptive bitrate control technology would automatically allocates appropriate bitrate to ensure the stability of recording period.
Stream Type	<p>Video, Video &amp; Audio</p> <p>Note: In order to protect privacy, the device will only record video (without audio) by default. If you want to record audio, you shall manually enable audio recording. For operation details, refer to the user manual.</p>
Audio Compression	G.711u
Audio Bitrate	64 Kbps
Video and Audio	
IP Video Input	<p>2-ch</p> <p>Up to 5 MP resolution</p> <p>Support H.265+/H.265 IP cameras</p>
Analog Video Input	<p>8-ch</p> <p>BNC interface (1.0 Vp-p, 75 Ω), supporting coaxitron connection</p>
HDTVI Input	1080p25, 1080p30, 720p25, 720p30
AHD Input	1080p25, 1080p30, 720p25, 720p30
HDCVI Input	1080p25, 1080p30, 720p25, 720p30
CVBS Input	Support
HDMI Output	1-ch, 1920 × 1080/60 Hz, 1280 × 1024/60 Hz, 1280 × 720/60 Hz
VGA Output	1-ch, 1920 × 1080/60 Hz, 1280 × 1024/60 Hz, 1280 × 720/60 Hz

Video Output Mode	HDMI/VGA simultaneous output
Audio Input	8-ch via coaxial cable
Audio Output	1-ch via HDMI
Synchronous playback	8-ch
<b>Network</b>	
Total Bandwidth	72 Mbps Incoming bandwidth: 1 Mbps
Remote Connection	32
Network Protocol	TCP/IP, DHCP, Hik-Connect, DNS, DDNS, NTP, SADP, SMTP, NFS, UPnP™, HTTPS
Network Interface	1, RJ45 10/100 Mbps self-adaptive Ethernet interface
<b>Auxiliary Interface</b>	
Capacity	Built-in 512 GB eSSD (480 GB available) Note: The device can store about 2 weeks videos for 8-ch analog cameras (default parameters), this estimation is for reference only.
USB Interface	Rear panel: 2 × USB 2.0
Alarm In/Out	N/A
<b>General</b>	
Power Supply	12 VDC, 1 A
Consumption	≤ 6.2 W (with eSSD)
Working Temperature	-10 °C to 45 °C (14 °F to 113 °F)
Working Humidity	10% to 90%
Dimension (W × D × H)	151 × 121 × 46 mm (5.94 × 4.76 × 1.81 inch)
Weight	≤ 0.5 kg (with eSSD, 1.1 lb.)



No.	Description	No.	Description
1	Video and coaxial audio in	4	LAN network interface and USB interface
2	HDMI interface	5	Power supply
3	VGA interface	6	GND