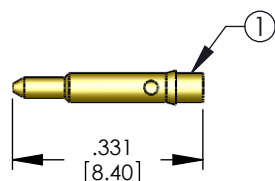
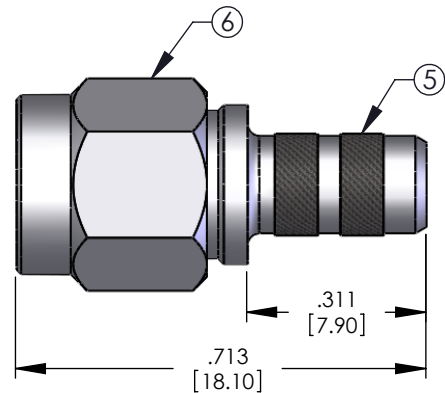
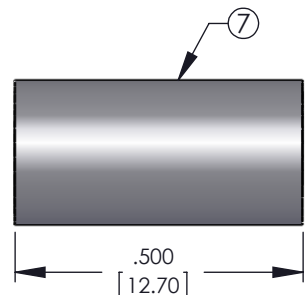


RSA-3000-C

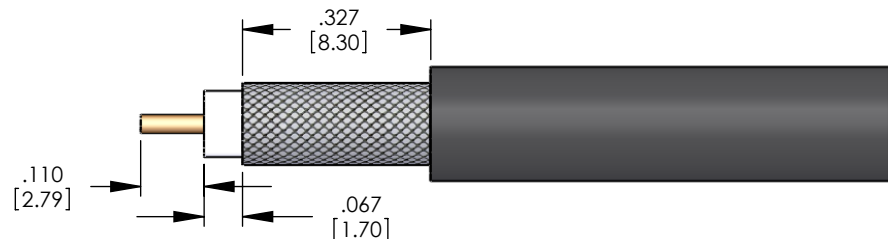
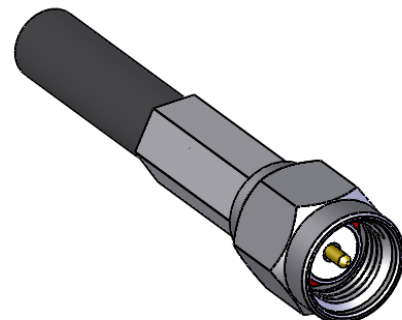
REV	DESCRIPTION	DATE	APPR
D	CHANGE CENTER CONDUCTOR STRIPPING DIMENSIONS	03/14/08	JDM



SOLDER ONLY



RECOMMENDED CRIMP DIE: .213"



RECOMMENDED STRIPPING DIMENSIONS

SPECIFICATIONS:

IMPEDANCE: 50 Ohms
 FREQUENCY RANGE: 0-12.4 GHz
 INSERTION LOSS(dB): $0.06 \times \sqrt{f(\text{GHz})}$
 VSWR: 1.3 MAX.
 WORKING VOLTAGE: 500 V rms Max. @ Sea Level
 INSULATION RESISTANCE: 5k M Ohms min.
 TEMPERATURE RANGE: -65°C to 85°C
 FOR RG-58, 58A, 58C, 141, 141A, BELDEN 8240, 9907
 8259, 8262, 9201, 9203, 9310, 9311 & COMM/SCOPE 0268

ITEM #	PART NUMBER	QTY.	DESCRIPTION	MATERIAL	FINISH
7	066-CXX-001-BN	1	FERRULE	Brass	NICKEL
6	012-30M-002-BN	1	SMA SHELL	Brass	NICKEL
5	001-30M-011-BN	1	BODY	Brass	NICKEL
4	027-30M-000-CX	1	RETAINING RING	BeCu	NONE
3	022-30M-001-LX	1	SMA GASKET	SILICONE RUBBER	NONE
2	010-30X-009-TX	1	INSULATOR	PTFE	NONE
1	009-30M-012-BG	1	SMA PIN	Brass	GOLD

ROHS COMPLIANT	NAME	DATE	RF INDUSTRIES <i>EPCOM syscom- 1630 Paisano Dr- El Paso, Tx 79901</i> <i>Ph (915)533-5119</i> <i>www.epcom.net</i>	
	DRAWN	C. ZUNIGA		08/29/13
	CHECKED			
UNLESS OTHERWISE SPECIFIED: DIMENSIONS ARE IN INCHES TOLERANCES: DIAMETERS ±.001 ANGULAR: MACH ±1° TWO PLACE DECIMAL ±.005 THREE PLACE DECIMAL ±.003 FINISH 63 ^V MAX.	ENG APPR.		TITLE:	
CABLE GROUP C	PROPRIETARY AND CONFIDENTIAL THE INFORMATION CONTAINED IN THIS DRAWING IS THE SOLE PROPERTY OF RF INDUSTRIES. ANY REPRODUCTION IN PART OR AS A WHOLE WITHOUT THE WRITTEN PERMISSION OF RF INDUSTRIES IS STRICTLY PROHIBITED.		SMA PLUG, CRIMP	
CODE 008974	SIZE	DWG. NO.	REV	
	A	RSA-3000-C	D	
	SCALE: NTS	NOTES:	SHEET 1 OF 1	