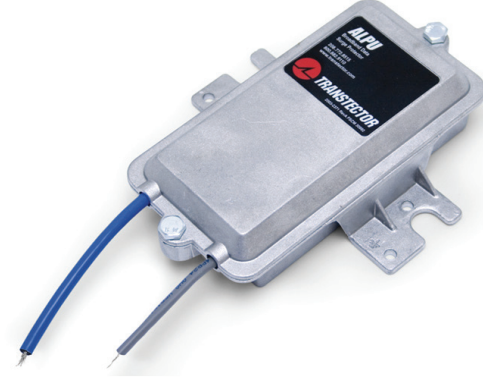


# Installation Instructions

## ALPU-CS-SERIES



smiths microwave

800.882.9110 | 208.772.8515 | [www.transtector.com](http://www.transtector.com)

### Warning

1. Important safety instructions. Read and understand all instructions before installing this product. Save these instructions for future reference.
2. The suppressor will interrupt communications in the event of self-sacrifice.
3. Installation shall be performed by qualified electrical technician only.
4. EXPLOSION HAZARD. Do not disconnect while circuit is live or unless the area is known to be free of ignitable concentrations of flammable gases or vapors.
5. Substitution of any internal component is prohibited and may impair suitability for hazardous locations.

### Avertissement

1. Consignes de sécurité importantes. Veuillez lire et comprendre toutes les consignes avant d'installer ce produit. Conservez ces consignes pour les consulter plus tard.
2. Le dispositif antiparasite interrompra les communications en cas d'abnégation.
3. L'installation doit uniquement être effectuée par un électricien qualifié.
4. RISQUE D'EXPLOSION. Ne débranchez pas le produit si le circuit est sous tension. Débranchez-le uniquement si vous êtes sûr que la zone est exempte de concentrations inflammables de gaz ou de vapeurs combustibles.
5. Le remplacement d'un composant interne est interdit et risque de nuire à son adaptation aux zones dangereuses.

Thank you for your recent purchase of our surge protection solution. Your satisfaction with our product and service is important to us. If you have any questions, comments or concerns, please contact us at 800.882.9110 or visit our website at [www.SmithsPower.com](http://www.SmithsPower.com). We look forward to continuing to serve your protection needs.

This product is suitable for use in the following hazardous locations:  
Class I Division 2 Groups A,B,C,D T6  
Class I Zone 2 AEX nA IIC T6 Gc  
CE II 3 G Ex nA IIC T6 Gc

# Installation Instructions

## ALPU-CS-SERIES

1. The ALPU-CS-SERIES is intended to be installed indoors or outdoors, on wall or pole mount applications. The unit features mounting feet on the sides that mount on 4" center-to-center holes with #10 sized hardware. The mount foot also adapts to 4" diameter pole mounting kits with a 4.5" center-to-center holes and larger hardware. Refer to figure 1 for mechanical requirements and connector locations. The optimum ground connection on the metal enclosure unit at the mounting flange on either side is shown in Figure 1. Use minimum 8AWG wire for a ground reference attachment. Communication cables with the RJ45 connectors already installed can feed directly into the enclosure. Be sure to install the cables with the unprotected cable installed into the left "in" jack and the protected equipment cable in the right "out" jack. The enclosure features a built in cable retention that grips the cable with a screw down bracket. A pole mount adapter kit (pn 1000-1164) is available to meet installations on a wide range of pole diameters from 2" metal fence poles to 10" diameter utility poles.

ALPU-POE-06 = 06VDC  
ALPU-POE-36-M = 36VDC  
ALPU-POE-60 = 60VDC  
ALPU-POE-90 = 90VDC  
ALPU-PTP-M = 90VDC

2. Mount the device as close to the equipment to be protected as possible using the provided hardware. Mount the unit in the orientation shown, with the strain reliefs facing the ground.

### INSTALLATION INSTRUCTIONS

1. Remove the cover by removing the screw on the front of the unit.
2. Mount the unit to an outside surface using the two mounting holes shown in figure 1.
3. Connect the Ethernet cable between the indoor unit and the suppressor using the RJ45 jack.
4. Connect one Ethernet cable between the outdoor unit and the suppressor using an RJ45 jack.
5. Attach appropriate wire gauge 8AWG as short as possible (less than 3 feet) between the unit and the site grounding point. Refer to local codes and equipment manufacturers standards before installation
6. Replace cover

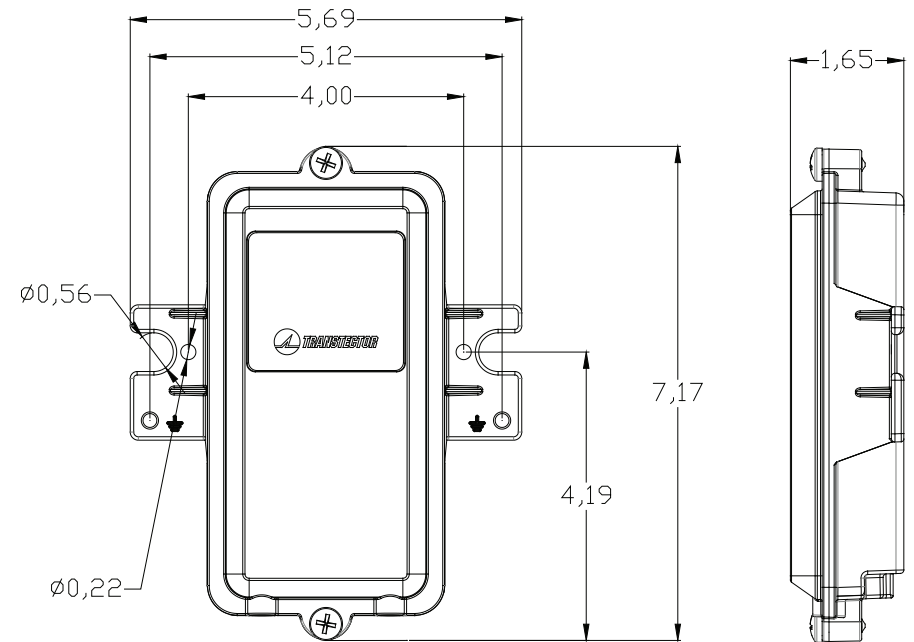


Figure 1. Mechanical outline drawing (inches)